



WASHING

HIGH SPIN WASHERS LOW AND MEDIUM CAPACITY FWH-25 TP2



FEATURES

Touch Plus Control

- 7" touchscreen, user friendly and totally programmable .
- Videos on display, ads, instructions.
- Free software for programming, telemetry, data analysis.
- USB Connection.
- 37 languages.
- 8 dosing signals as standard.

G FACTOR

- High Spin Up to 500 G Force

EFFICIENCY

- Energy Optimization.
- Optimal load.
- KRS: Water Recovery tank ready.
- Low water consumption.

VERSATILITY

- Custom - Make to order
- OPL or COIN.
- Electric or Hot water.
- Drain valve or Pump.
- Wet cleaning features.

CONNECTIVITY

- IoT - Fagor-Konnect standard.
- Remote technical service.
- Laundry Management system: OPL and COIN.

ERGONOMICS

- Biggest door diameter: Ø373.
- Easy opening/closing system for door lock.

MAINTENANCE

- Hinged panel: easy and ergonomic access.
 - Technical setting: telemetry, error diagnosis, monitoring, software updates.
- Easy maintenance with external console (optional)

OTHERS

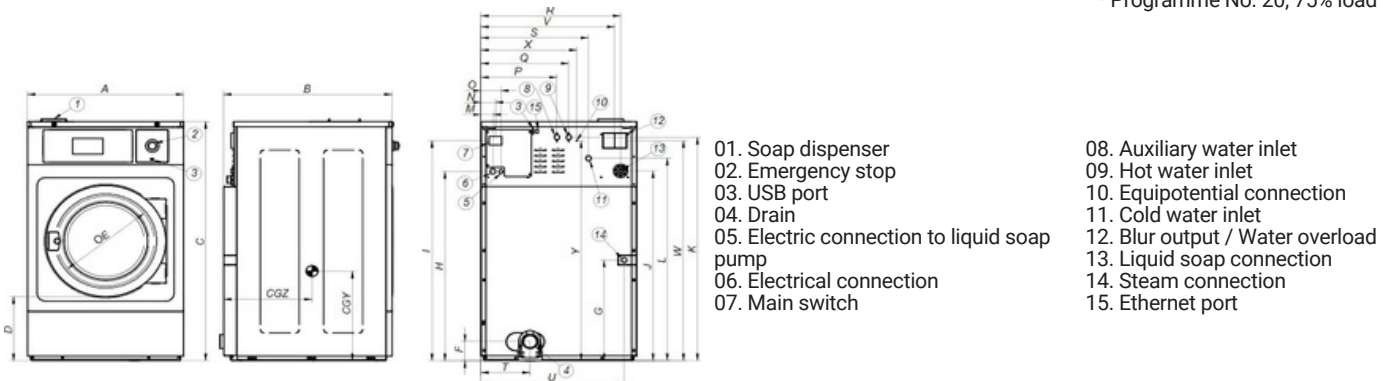
- Grey skin plate outer casing.
- Drum and outer tub in stainless steel AISI 304.
- Detergent dispenser with 4 compartments.
- LOADING AID system: water and rotation control.
- CB and WRAS approved product. Option ETL.
- High spin washers with suspended drum.

OPTIONS

- DQ-2 Dosing pump kit.
- Extra dosing pump DB-1.
- Double drain.
- External double drain 3" (recommended for FWH-25).
- Drain pump for models FWH-25 and FWH-30.
- Water FULL FLOW recirculation of bath water.
- Levelling pads.
- Automatic weighing sensor system on feet (Includes kit with 6 extra dosing signals).
- Relay card with 6 extra dosing signals: up to 14 signals.
- Silicone gasket.
- Reversible door opening.
- Tropicalized coating.
- Steam kit to transform an E or HW heated machine into steam version.
- Plinth for washing mops.
- Plinth to level all machines from top.
- Plinth to align the door base at 33.46 In.
- Stainless steel AISI 304 outer casing.
- Stainless steel AISI 304 front panel.
- Coin/token kits.
- Auto unlock kit for the door.

DRUM		U.	FWH- 25 TP2	
Load capacity	1:9 / 1:10	Lb.	24.3/22.1	
Volume		CU.FT	3.5	
Diameter		In	21	
Depth		In	16.7	
GENERAL DETAILS				
Washing speed / Spinning speed		r.p.m.	50/1300	
G Factor		-	500	
Maximum force transmitted		KN	2.08 ±0.75	
Frequency-dynamic force		Hz	16.7	
Noise level		dB	<70	
Coin laundry version		-	Yes	
Double drain		-	No	
Weighing System / Tilting System		-	Opt./No	
SLUICE option		-	No	
DOOR				
Height center door / Height door		In	24.8/14.6	
Diameter		In	14.7	
POWER				
Motor		Hp	1	
Electric heating power		kW	6	
Total electric power (electric model)		kW	6.25	
Total electric power (hw, steam model)		kW	0.75	
CONNECTIONS		ELECTRIC		STEAM / HOT WATER
Voltage 208-240/60/1~ + G	N° x AWG / A	3 x 8 / 35A		3 x 14/ 15A
Voltage 208-240/60/3~ + G	N° x AWG / A	4 x 12 / 20A		-
Voltage 440-480/3 ~ + G	N° x AWG / A	4 x 14 / 15A		-
Steam inlet (Steam model)	inch	1/2"		
Maximum steam consumption (Steam model)	Kg/h	7		
Water inlet	mm/inch	3/4"		
Water main pressure	psi (bar)	30-85 (2-5.7)		
Maximum water consumption	Gal/h	18.8*		
Drain	mm/inch	3"		
Drainage capacity	Gal/min	52.8		
DIMENSIONS / PACKING DIMENSIONS				
Net Width / Gross Width		In	27.24/29.1	
Net Depth / Gross Depth		In	32.68/38.4	
Net Height / Gross Height		In	46.65/56.7	
Net weight / Gross weight		Lbs.	437/507.2	
Volume		Ft3	36.4	

* Programme No. 20, 75% load



	A	B	C	D	E	F	G	H	I	J	K	L	M	N	O	P	Q	R	S	T	U	V	W	X	Y	CGY	CGZ	
FWH-25	mm	692	830	1185	370	373	125	354	913	1085	916	1100	985	61	74	101	292	352	610	448	226	626	580	1080	442	1145	424	577
	In	27.24	32.68	46.65	14.57	14.69	4.92	13.94	35.94	42.72	36.06	43.31	38.78	2.40	2.91	3.98	11.50	13.85	24.02	17.64	8.90	24.65	22.83	42.52	17.40	45.08	16.69	22.72



WASHING

HIGH SPIN WASHERS LOW AND MEDIUM CAPACITY FWH-30 TP2



FEATURES

Touch Plus Control

- 7" touchscreen, user friendly and totally programmable .
- Videos on display, ads, instructions.
- Free software for programming, telemetry, data analysis.
- USB Connection.
- 37 languages.
- 8 dosing signals as standard.

G FACTOR

- High Spin Up to 500 G Force

EFFICIENCY

- Energy Optimization.
- Optimal load.
- KRS: Water Recovery tank ready.
- Low water consumption.

VERSATILITY

- Custom - Make to order
- OPL or COIN.
- Electric or Hot water.
- Drain valve or Pump.
- Wet cleaning features.

CONNECTIVITY

- IoT - Fagor-Konnect standard.
- Remote technical service.
- Laundry Management system: OPL and COIN.

ERGONOMICS

- Biggest door diameter: Ø373.
- Easy opening/closing system for door lock.

MAINTENANCE

- Hinged panel: easy and ergonomic access.
- Technical setting: telemetry, error diagnosis, monitoring, software updates.
- Easy maintenance with external console (optional)

OTHERS

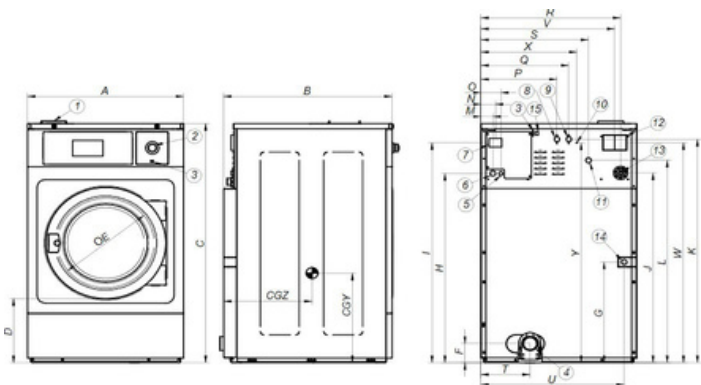
- Grey skin plate outer casing.
- Drum and outer tub in stainless steel AISI 304.
- Detergent dispenser with 4 compartments.
- Electronic control of imbalance with frequency control.
- LOADING AID system: water and rotation control.
- CB and WRAS approved product. Option ETL.
- High spin washers with suspended drum.

OPTIONS

- DQ-2 Dosing pump kit.
- Extra dosing pump DB-1.
- Double drain.
- Drain pump for models FWH-25 and FWH-30.
- Water FULL FLOW recirculation of bath water.
- Levelling pads.
- Automatic weighing sensor system on feet (Includes kit with 6 extra dosing signals).
- Relay card with 6 extra dosing signals: up to 14 signals.
- Silicone gasket.
- Reversible door opening.
- Tropicalized coating.
- Steam kit to transform an E or HW heated machine into steam version.
- Plinth for washing mops.
- Plinth to level all machines from top.
- Plinth to align the door base at 33.46 In.
- Stainless steel AISI 304 outer casing.
- Stainless steel AISI 304 front panel.
- Coin/token kits.
- Auto unlock kit for the door.

DRUM		U.	FWH - 30 TP2	
Load capacity	1:9 / 1:10	Lb.	30.9/28.7	
Volume		CU.FT	4.6	
Diameter		In	24.4	
Depth		In	16.9	
GENERAL DETAILS				
Washing speed / Spinning speed		r.p.m.	50/1204	
G Factor		-	500	
Maximum force transmitted		KN	2.49 ±1.05	
Frequency-dynamic force		Hz	16.7	
Noise level		dB	<70	
Coin laundry version		-	Yes	
Double drain		-	Opt.	
Weighing System / Tilting System		-	Opt./No	
SLUICE option		-	No	
DOOR				
Height center door / Height door		In	27.6/17.3	
Diameter		In	14.7	
POWER				
Motor		Hp	1.5	
Electric heating power		kW	9	
Total electric power (electric model)		kW	9.4	
Total electric power (hw, steam model)		kW	1.1	
CONNECTIONS			ELECTRIC	STEAM / HOT WATER
Voltage 208-240/60/1~ + G		N° x AWG / A	3 x 6 / 50A	3x 14 / 15A
Voltage 208-240/60/3~ + G		N° x AWG / A	4 x 10 / 32A	-
Voltage 440-480/3 ~ + G		N° x AWG / A	4 x 12 / 20A	-
Steam inlet (Steam model)		inch	1/2"	
Maximum steam consumption (Steam model)		Kg/h	8,5	
Water inlet		mm/inch	3/4"	
Water main pressure		Kg/cm2	2-4	
Maximum water consumption		Gal/h	23.4*	
Drain		mm/inch	3"	
Drainage capacity		Gal/min	58.1	
DIMENSIONS / PACKING DIMENSIONS				
Net Width / Gross Width		In	31.02/33.5	
Net Depth / Gross Depth		In	34.2140	
Net Height / Gross Height		In	51.46/63	
Net weight / Gross weight		Lbs.	520.4/605.3	
Volume		Ft3	48.7	

* Programme No. 20, 75% load



- 01. Soap dispenser
- 02. Emergency stop
- 03. USB port
- 04. Drain
- 05. Electric connection to liquid soap pump
- 06. Electrical connection
- 07. Main switch
- 08. Auxiliary water inlet
- 09. Hot water inlet
- 10. Equipotential connection
- 11. Cold water inlet
- 12. Blur output / Water overload
- 13. Liquid soap connection
- 14. Steam connection
- 15. Ethernet port

	A	B	C	D	E	F	G	H	I	J	K	L	M	N	O	P	Q	R	S	T	U	V	W	X	Y	CGY	CGZ	
FWH-30	mm	788	869	1307	440	373	125	385	1034	1202	1037	1221	1106	61	74	101	385	445	706	544	243	718	676	1202	485	1201	450	651
	In	31.02	34.21	51.46	17.32	14.69	4.92	15.16	40.71	47.32	40.83	48.07	43.54	2.40	2.91	3.98	15.16	17.52	27.80	21.42	9.57	28.27	26.61	47.32	19.09	47.28	17.72	25.63



WASHING

HIGH SPIN WASHERS LOW AND MEDIUM CAPACITY FWH-40 TP2

FEATURES

Touch Plus Control

- 7" touchscreen, user friendly and totally programmable .
- Videos on display, ads, instructions.
- Free software for programming, telemetry, data analysis.
- USB Connection.
- 37 languages.
- 8 dosing signals as standard.

G FACTOR

- High Spin Up to 500 G Force

EFFICIENCY

- Energy Optimization.
- Optimal load.
- KRS: Water Recovery tank ready.
- Low water consumption.

VERSATILITY

- Custom - Make to order
- OPL or COIN.
- Electric or Hot water.
- Drain valve or Pump.
- Wet cleaning features.

CONNECTIVITY

- IoT - Fagor-Konnect standard.
- Remote technical service.
- Laundry Management system: OPL and COIN.

ERGONOMICS

- Biggest door diameter: Ø460.
- Easy opening/closing system for door lock.

MAINTENANCE

- Hinged panel: easy and ergonomic access.
 - Technical setting: telemetry, error diagnosis, monitoring, software updates.
- Easy maintenance with external console (optional)

OTHERS

- Grey skin plate outer casing.
- Drum and outer tub in stainless steel AISI 304.
- Detergent dispenser with 4 compartments.
- LOADING AID system: water and rotation control.
- CB and WRAS approved product. Option ETL.
- High spin washers with suspended drum.

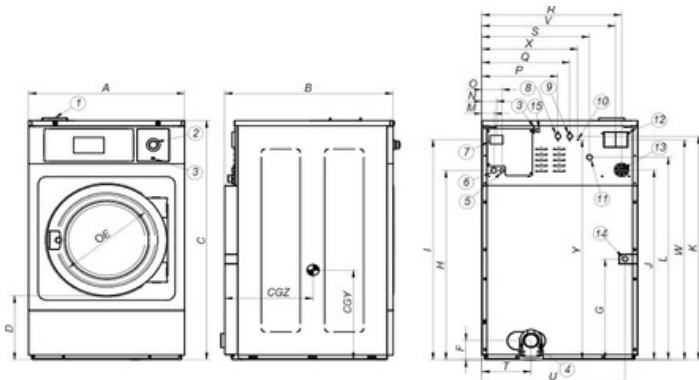
OPTIONS

- DQ-2 Dosing pump kit.
- Extra dosing pump DB-1.
- Double drain.
- Water FULL FLOW recirculation of bath water.
- Levelling pads.
- Automatic weighing sensor system on feet (Includes kit with 6 extra dosing signals).
- Relay card with 6 extra dosing signals: up to 14 signals.
- Silicone gasket.
- Reversible door opening.
- Tropicalized coating.
- Steam kit to transform an E or HW heated machine into steam version.
- Plinth to level all machines from top.
- Plinth to align the door base at 33.46 In.
- Plinth for washing mops.
- Stainless steel outer casing.
- Stainless steel front panel.
- Coin/token kit.
- Auto unlock kit for the door.



DRUM		U.	FWH - 40 TP2	
Load capacity	1:9 / 1:10	Lb.	44.1/39.7	
Volume		CU.FT	6.4	
Diameter		In	27.6	
Depth		In	18.5	
GENERAL DETAILS				
Washing speed / Spinning speed		r.p.m.	47/1133	
G Factor		-	500	
Maximum force transmitted		KN	3.41 ±1.4	
Frequency-dynamic force		Hz	16	
Noise level		dB	<70	
Coin laundry version		-	Yes	
Double drain		-	Opt.	
Weighing System / Tilting System		-	Opt./No	
SLUICE option		-	No	
DOOR				
Height center door / Height door		In	30.1/17.7	
Diameter		In	18.1	
POWER				
Motor		Hp	3	
Electric heating power		kW	12	
Total electric power (electric model)		kW	12.75	
Total electric power (hw, steam model)		kW	2.2	
CONNECTIONS		ELECTRIC		STEAM / HOT WATER
Voltage 208-240/60/1~ + G	N° x AWG / A	3 x 10 / 70A		3 x 14 / 15A
Voltage 208-240/60/3~ + G	N° x AWG / A	4 x 8 / 40A		-
Voltage 440-480/3 ~ + G	N° x AWG / A	4 x 10 / 30A		-
Steam inlet (Steam model)	inch	1/2"		
Maximum steam consumption (Steam model)	Kg/h	12		
Water inlet	mm/inch	3/4"		
Water main pressure	Kg/cm2	2-4		
Maximum water consumption	Gal/h	31.2*		
Drain	mm/inch	3"		
Drainage capacity	Gal/min	52.8		
DIMENSIONS / PACKING DIMENSIONS				
Net Width / Gross Width		In	34.80/37.2	
Net Depth / Gross Depth		In	35.94/40.6	
Net Height / Gross Height		In	55.31/ 66.2	
Net weight / Gross weight		Lbs.	756.6/855.5	
Volume		Ft3	57.6	

* Programme No. 20, 75% load



- 01. Soap dispenser
- 02. Emergency stop
- 03. USB port
- 04. Drain
- 05. Electric connection to liquid soap pump
- 06. Electrical connection
- 07. Main switch

- 08. Auxiliary water inlet
- 09. Hot water inlet
- 10. Equipotential connection
- 11. Cold water inlet
- 12. Blur output / Water overload
- 13. Liquid soap connection
- 14. Steam connection
- 15. Ethernet port

	A	B	C	D	E	F	G	H	I	J	K	L	M	N	O	P	Q	R	S	T	U	V	W	X	Y	CGY	CGZ	
FWH-40	mm	884	913	1.405	450	460	125	380	1135	1303	1138	1322	1207	61	74	101	429	509	802	640	322	814	772	1303	569	1.297	464	747
	In	34.80	35.94	55.31	17.02	18.11	30.74	14.96	44.68	51.30	44.80	52.05	47.52	2.40	2.91	3.98	16.89	20.04	31.57	25.20	12.68	32.05	30.39	51.30	22.40	51.06	18.27	29.41



WASHING

HIGH SPIN WASHERS LOW AND MEDIUM CAPACITY FWH-50 TP2

FEATURES

Touch Plus Control

- 7" touchscreen, user friendly and totally programmable .
- Videos on display, ads, instructions.
- Free software for programming, telemetry, data analysis.
- USB Connection.
- 37 languages.
- 8 dosing signals as standard.

G FACTOR

- High Spin Up to 500 G Force

EFFICIENCY

- Energy Optimization.
- Optimal load.
- KRS: Water Recovery tank ready.
- Low water consumption.

VERSATILITY

- Custom - Make to order
- OPL or COIN.
- Electric or Hot water.
- Drain valve or Pump.
- Wet cleaning features.

CONNECTIVITY

- IoT - Fagor-Konnect standard.
- Remote technical service.
- Laundry Management system: OPL and COIN.

ERGONOMICS

- Biggest door diameter: Ø460.
- Easy opening/closing system for door lock.

MAINTENANCE

- Hinged panel: easy and ergonomic access.
 - Technical setting: telemetry, error diagnosis, monitoring, software updates.
- Easy maintenance with external console (optional)

OTHERS

- Grey skin plate outer casing.
- Drum and outer tub in stainless steel AISI 304.
- Detergent dispenser with 4 compartments.
- LOADING AID system: water and rotation control.
- CB and WRAS approved product. Option ETL.
- High spin washers with suspended drum.

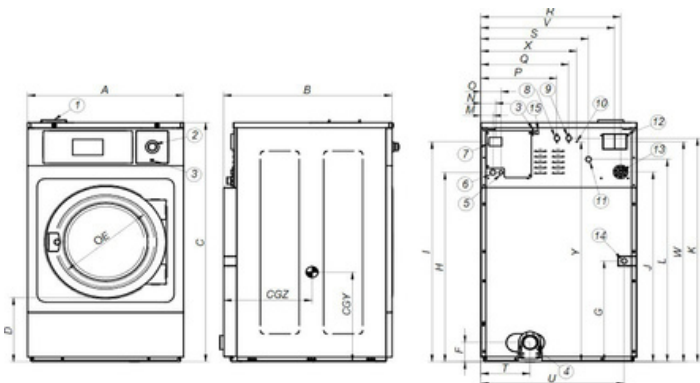
OPTIONS

- DQ-2 Dosing pump kit.
- Extra dosing pump DB-1.
- Double drain.
- Water FULL FLOW recirculation of bath water.
- Levelling pads .
- Automatic weighing sensor system on feet (Includes kit with 6 extra dosing signals).
- Relay card with 6 extra dosing signals: up to 14 signals.
- Silicone gasket.
- Reversible door opening.
- Tropicalized coating.
- Steam kit to transform an E or HW heated machine into steam version.
- Plinth to level all machines from top.
- Plinth to align the door base at 33.46 In.
- Plinth for washing mops.
- Stainless steel outer casing.
- Stainless steel front panel.
- Coin/token kit.
- Auto unlock kit for the door.



DRUM		U.	FWH - 50 TP2	
Load capacity	1:9 / 1:10	Lb.	55.1/48.5	
Volume		CU.FT	7.8	
Diameter		In	27.6	
Depth		In	22.1	
GENERAL DETAILS				
Washing speed / Spinning speed		r.p.m.	47/1071	
G Factor		-	450	
Maximum force transmitted		KN	4.12 ±1.4	
Frequency-dynamic force		Hz	16	
Noise level		dB	<70	
Coin laundry version		-	Yes	
Double drain		-	Opt.	
Weighing System / Tilting System		-	Opt./No	
SLUICE option		-	No	
DOOR				
Height center door / Height door		In	30.1/17.7	
Diameter		In	18.1	
POWER				
Motor		Hp	3	
Electric heating power		kW	12	
Total electric power (electric model)		kW	12.75	
Total electric power (hw, steam model)		kW	2.2	
CONNECTIONS			ELECTRIC	STEAM / HOT WATER
Voltage 208-240/60/1~ + G		N° x AWG / A	3 x 10 / 70A	3 x 14 / 15A
Voltage 208-240/60/3~ + G		N° x AWG / A	4 x 8 / 40A	-
Voltage 440-480/3 ~ + G		N° x AWG / A	4 x 10 / 30A	-
Steam inlet (Steam model)		inch	1/2"	
Maximum steam consumption (Steam model)		Kg/h	12	
Water inlet		mm/inch	3/4"	
Water main pressure		Kg/cm2	2-4	
Maximum water consumption		Gal/h	31.2*	
Drain		mm/inch	3"	
Drainage capacity		Gal/min	52.8	
DIMENSIONS / PACKING DIMENSIONS				
Net Width / Gross Width		In	34.80/37.2	
Net Depth / Gross Depth		In	39.49/43.9	
Net Height / Gross Height		In	55.31/66.2	
Net weight / Gross weight		Lbs.	793.8/889.7	
Volume		Ft3	62.5	

* Programme No. 20, 75% load



- 01. Soap dispenser
- 02. Emergency stop
- 03. USB port
- 04. Drain
- 05. Electric connection to liquid soap pump
- 06. Electrical connection
- 07. Main switch

- 08. Auxiliary water inlet
- 09. Hot water inlet
- 10. Equipotential connection
- 11. Cold water inlet
- 12. Blur output / Water overload
- 13. Liquid soap connection
- 14. Steam connection
- 15. Ethernet port

	A	B	C	D	E	F	G	H	I	J	K	L	M	N	O	P	Q	R	S	T	U	V	W	X	Y	CGY	CGZ	
FWH-50	mm	884	1003	1405	450	460	125	380	1135	1303	1138	1322	1.207	61	74	101	429	509	802	640	322	814	772	1303	569	1.297	464	747
	In	34.80	39.49	55.31	17.72	18.11	4.92	14.96	44.68	51.30	44.80	52.05	47.52	2.40	2.91	3.98	16.89	20.04	31.57	25.20	12.68	32.05	30.39	51.30	22.40	51.06	18.27	29.41



WASHING

HIGH SPIN WASHERS LOW AND MEDIUM CAPACITY FWH-65 TP2



FEATURES

Touch Plus Control

- 7" touchscreen, user friendly and totally programmable .
- Videos on display, ads, instructions.
- Free software for programming, telemetry, data analysis.
- USB Connection.
- 37 languages.
- 8 dosing signals as standard.

G FACTOR

- High Spin Up to 500 G Force

EFFICIENCY

- Energy Optimization.
- Optimal load.
- KRS: Water Recovery tank ready.
- Low water consumption.

VERSATILITY

- Custom - Make to order
- OPL or COIN.
- Electric or Hot water.
- Drain valve or Pump.
- Wet cleaning features.

CONNECTIVITY

- IoT - Fagor-Konnect standard.
- Remote technical service.
- Laundry Management system: OPL and COIN.

ERGONOMICS

- Large Loading Doors: Ø460.
- Easy opening/closing system for door lock.

MAINTENANCE

- Hinged panel: easy and ergonomic access.
 - Technical setting: telemetry, error diagnosis, monitoring, software updates.
- Easy maintenance with external console (optional)

OTHERS

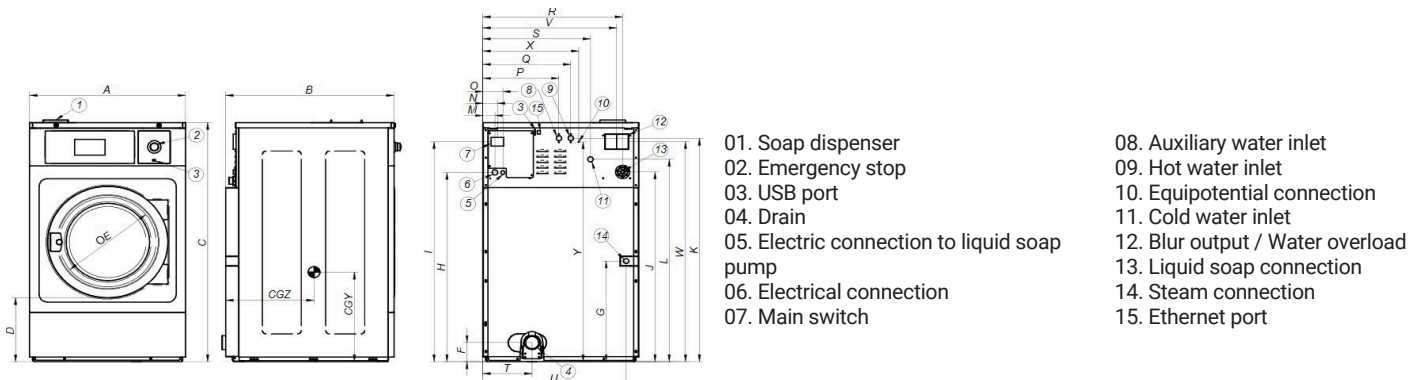
- Grey skin plate outer casing.
- Drum in stainless steel AISI 304.
- Detergent dispenser with 4 compartments.
- CB and WRAS approved product.
- High spin washers with suspended drum.

OPTIONS

- Extra dosing pump DB-1.
- Double drain.
- Levelling pads.
- Automatic weighing sensor system on feet.
- Relay card with 6 extra dosing signals.
- Silicone gasket.
- Reversible door opening.
- Tropicalized coating.
- Steam kit to transform an E or HW heated machine into steam version.
- Plinth to level all machines from top.
- Plinth to align the door base at 850mm).
- Plinth for washing mops.
- Stainless steel outer casing.
- Stainless steel front panel
- Coin/token kit.
- Auto unlock kit for the door.

DRUM		U.	FWH - 65 TP2	
Load capacity	1:9 / 1:10	Lb.	68.4/61.7	
Volume		CU.FT	9.9	
Diameter		In	30.3	
Depth		In	23	
GENERAL DETAILS				
Washing speed / Spinning speed		r.p.m.	45/1024	
G Factor		-	450	
Maximum force transmitted		KN	5.59 ± 1.75	
Frequency-dynamic force		Hz	15	
Noise level		dB	<70	
Coin laundry version		-	Yes	
Double drain		-	Opt.	
Weighing System / Tilting System		-	Opt./No	
SLUICE option		-	No	
DOOR				
Height center door / Height door		In	34.1/22.1	
Diameter		In	18.1	
POWER				
Motor		Hp	5.4	
Electric heating power		kW	18	
Total electric power (electric model)		kW	19.2	
Total electric power (hw, steam model)		kW	4	
CONNECTIONS		ELECTRIC		STEAM / HOT WATER
Voltage 208-240/60/1~ + G	N° x AWG / A	-		3 x 12 / 20A
Voltage 208-240/60/3~ + G	N° x AWG / A	4 x 5 / 60A		4 x 12 / 20A
Voltage 440-480/3 ~ + G	N° x AWG / A	4 x 8 / 40A		-
Steam inlet (Steam model)	inch	3/4"		
Maximum steam consumption (Steam model)	lbs/h	15		
Water inlet	inch	3/4"		
Water main pressure	Kg/cm2	2-4		
Maximum water consumption	Gal/h	46.3*		
Drain	mm/inch	3"		
Drainage capacity	Gal/min	52.8		
DIMENSIONS / PACKING DIMENSIONS				
Net Width / Gross Width		In	38.54/41.2	
Net Depth / Gross Depth		In	42.52/47.7	
Net Height / Gross Height		In	61.02/71.3	
Net weight / Gross weight		Lbs.	1156.5/1209.4	
Volume		Ft3	80.5	

* Programme No. 20, 75% load



	A	B	C	D	E	F	G	H	I	J	K	L	M	N	O	P	Q	R	S	T	U	V	W	X	Y	CGY	CGZ	
FWH-65	mm	979	1080	1550	560	460	125	490	1282	1450	1259	1465	1354	61	74	101	481	561	861	673	367	909	831	1424	624	1.510	773	735
	In	38.54	42.52	61.02	22.05	18.11	4.92	19.29	50.47	57.09	49.57	57.68	53.31	2.40	2.91	3.98	18.94	22.09	33.90	26.50	14.45	35.79	32.72	56.06	24.57	59.45	30.43	28.82



WASHING

HIGH SPIN WASHERS LOW AND MEDIUM CAPACITY FWH-80C TP2

FEATURES

Touch Plus Control

- 7" touchscreen, user friendly and totally programmable .
- Videos on display, ads, instructions.
- Free software for programming, telemetry, data analysis.
- USB Connection.
- 37 languages.
- 8 dosing signals as standard.

G FACTOR

- High Spin Up to 500 G Force

EFFICIENCY

- Energy Optimization.
- Optimal load.
- KRS: Water Recovery tank ready.
- Low water consumption.

VERSATILITY

- Custom - Make to order
- OPL or COIN.
- Electric or Hot water.
- Drain valve or Pump.
- Wet cleaning features.

CONNECTIVITY

- IoT - Fagor-Konnnect standard.
- Remote technical service.
- Laundry Management system: OPL and COIN.

ERGONOMICS

- Biggest door diameter: Ø560.
- Easy opening/closing system for door lock.

MAINTENANCE

- Hinged panel: easy and ergonomic access.
 - Technical setting: telemetry, error diagnosis, monitoring, software updates.
- Easy maintenance with external console (optional)

OTHERS

- Grey skin plate outer casing.
- Drum and outer tub in stainless steel AISI 304.
- Detergent dispenser with 4 compartments.
- LOADING AID system: water and rotation control.
- CB and WRAS approved product. Option ETL.
- High spin washers with suspended drum.

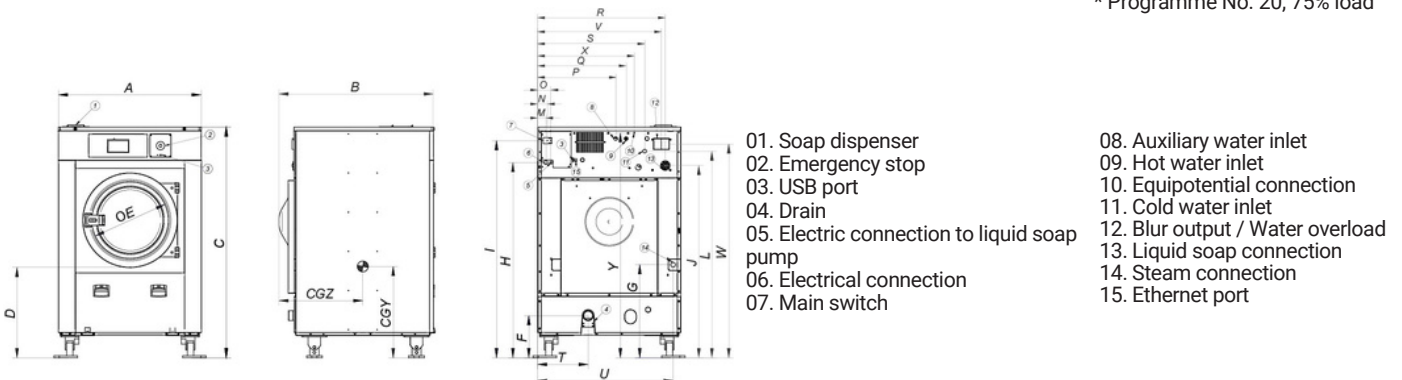
OPTIONS

- DQ-2 Dosing pump kit.
- Extra dosing pump DB-1.
- Double drain.
- Water FULL FLOW: recirculation of bath water.
- Levelling feet.
- Automatic weighing sensor system on feet (Includes kit with 6 extra dosing signals).
- Relay card with 6 extra dosing signals: up to 14 signals.
- Reversible door opening.
- Tropicalized coating.
- Steam kit to transform an E or HW heated machine into steam version.
- Plinth to align loading height (door base at 850mm).
- Stainless steel AISI 304 outer casing.
- Stainless steel AISI 304 front panel FWH-80C.
- Coin/token kit.
- Auto unlock kit for the door.



DRUM		U.	FWH - 80C TP2	
Load capacity	1:9 / 1:10	Lb.	86/77.2	
Volume		CU.FT	12.44	
Diameter		In	33.9	
Depth		In	23.7	
GENERAL DETAILS				
Washing speed / Spinning speed		r.p.m.	42.5/966	
G Factor		-	450	
Maximum force transmitted		KN	7.36 ±2.45	
Frequency-dynamic force		Hz	14,3	
Noise level		dB	<70	
Coin laundry version		-	No	
Double drain		-	Opt.	
Weighing System / Tilting System		-	Opt./No	
SLUICE option		-	No	
DOOR				
Height center door / Height door		In	34.9/21.3	
Diameter		In	22.1	
POWER				
Motor		Hp	8	
Electric heating power		kW	21	
Total electric power (electric model)		kW	22	
Total electric power (hw, steam model)		kW	6	
CONNECTIONS		ELECTRIC		STEAM / HOT WATER
Voltage 208-240/60/1~ + G	N° x AWG / A	-		-
Voltage 208-240/60/3~ + G	N° x AWG / A	4 x 4 / 80A		4 x 10 / 30A
Voltage 440-480/3 ~ + G	N° x AWG / A	4 x 8 / 45A		4 x 14 / 15A
Steam inlet (Steam model)	inch	3/4"		
Maximum steam consumption (Steam model)	lbs/h	18		
Water inlet	inch	3/4"		
Water main pressure	Kg/cm2	2-4		
Maximum water consumption	Gal/h	60*		
Drain	mm/inch	3"		
Drainage capacity	Gal/min	52.8		
DIMENSIONS / PACKING DIMENSIONS				
Net Width / Gross Width		In	43.11/47.5	
Net Depth / Gross Depth		In	46.61/52.4	
Net Height / Gross Height		In	68.11/72.9	
Net weight / Gross weight		Lbs.	1621/1733	
Volume		Ft3	95.4	

* Programme No. 20, 75% load



	A	B	C	D	E	F	G	H	I	J	K	L	M	N	O	P	Q	R	S	T	U	V	W	X	Y	CGY	CGZ	
FWH-80C	mm	1095	1184	1730	525	560	158	576	1.330	1498	1331	1513	1417	61	74	101	596	676	976	808	384	1028	946	1496	740	1558	795	732
	In	43.11	46.61	68.11	20.67	22.05	6.22	22.68	52.36	58.98	52.40	59.57	55.78	2.40	2.91	3.98	23.46	26.61	38.43	31.81	15.12	40.47	37.24	58.90	29.13	61.34	31.30	28.82



WASHING

HIGH SPIN WASHERS LOW AND MEDIUM CAPACITY FWH-100C TP2



FEATURES

Touch Plus Control

- 7" touchscreen, user friendly and totally programmable .
- Videos on display, ads, instructions.
- Free software for programming, telemetry, data analysis.
- USB Connection.
- 37 languages.
- 8 dosing signals as standard.

G FACTOR

- High Spin Up to 500 G Force

EFFICIENCY

- Energy Optimization.
- Optimal load.
- KRS: Water Recovery tank ready.
- Low water consumption.

VERSATILITY

- Custom - Make to order
- OPL or COIN.
- Electric or Hot water.
- Drain valve or Pump.
- Wet cleaning features.

CONNECTIVITY

- IoT - Fagor-Konnect standard.
- Remote technical service.
- Laundry Management system: OPL and COIN.

ERGONOMICS

- Large Loading Doors: Ø560.
- Easy opening/closing system for door lock.

MAINTENANCE

- Hinged panel: easy and ergonomic access.
 - Technical setting: telemetry, error diagnosis, monitoring, software updates.
- Easy maintenance with external console (optional)

OTHERS

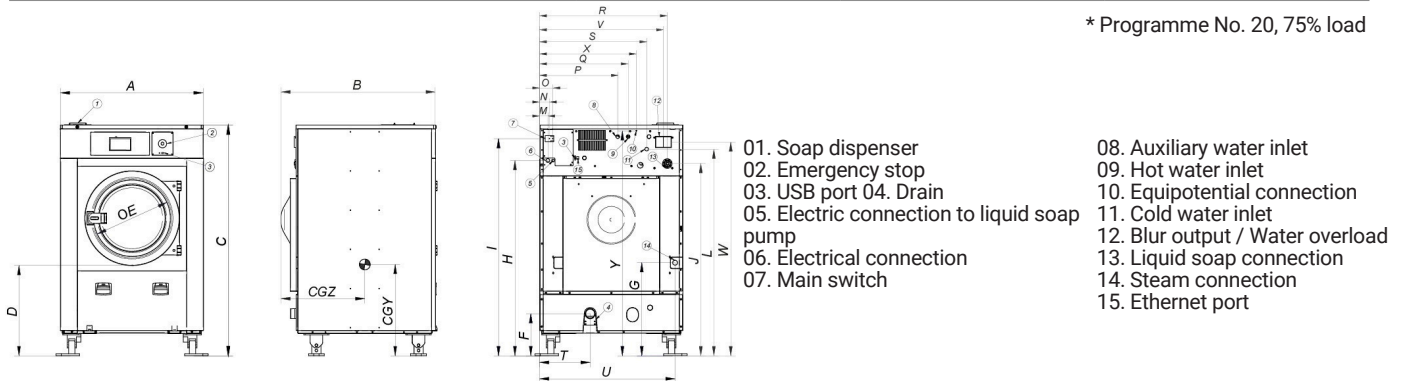
- Grey skin plate outer casing.
- Drum in stainless steel AISI 304.
- Detergent dispenser with 4 compartments.
- CB and WRAS approved product.
- High spin washers with suspended drum.

OPTIONS

- Extra dosing pump DB-1.
- Double drain.
- Levelling feet.
- Automatic weighing sensor system on feet.
- Relay card with 6 extra dosing signals.
- Reversible door opening.
- Tropicalized coating.
- Steam kit to transform an E or HW heated machine into steam version.
- Plinth to align loading height (door base at 3.46 In).
- Stainless steel AISI 304 outer casing.
- Stainless steel AISI 304 front panel FWH-80C.
- Coin/token kit.
- Auto unlock kit for the door.

DRUM		U.	FWH - 100C TP2	
Load capacity	1:9 / 1:10	Lb.	103.6/92.6	
Volume		CU.FT	15.9	
Diameter		In	33.9	
Depth		In	28.4	
GENERAL DETAILS				
Washing speed / Spinning speed		r.p.m.	42.5/966	
G Factor		-	450	
Maximum force transmitted		KN	7.36 ±2.45	
Frequency-dynamic force		Hz	14,3	
Noise level		dB	<70	
Coin laundry version		-	No	
Double drain		-	Opt.	
Weighing System / Tilting System		-	Opt./No	
SLUICE option		-	No	
DOOR				
Height center door / Height door		In	34.9/21.3	
Diameter		In	22.1	
POWER				
Motor		Hp	8	
Electric heating power		kW	21	
Total electric power (electric model)		kW	22	
Total electric power (hw, steam model)		kW	6	
CONNECTIONS			ELECTRIC	STEAM / HOT WATER
Voltage 208-240/60/1~ + G		N° x AWG / A	-	-
Voltage 208-240/60/3~ + G		N° x AWG / A	4 x 6 / 70A	4 x 10 / 30A
Voltage 440-480/3 ~ + G		N° x AWG / A	4 x 8 / 45A	4 x 14 / 15A
Steam inlet (Steam model)		inch	3/4"	
Maximum steam consumption (Steam model)		lbs/h	18	
Water inlet		inch	3/4"	
Water main pressure		Kg/cm2	2-4	
Maximum water consumption		Gal/h	88.7*	
Drain		mm/inch	3"	
Drainage capacity		Gal/min	52.8	
DIMENSIONS / PACKING DIMENSIONS				
Net Width / Gross Width		In	43.11/47.5	
Net Depth / Gross Depth		In	51.34/56.7	
Net Height / Gross Height		In	68.11/72.9	
Net weight / Gross weight		Lbs.	1647/1881	
Volume		Ft3	116.5	

* Programme No. 20, 75% load



		A	B	C	D	E	F	G	H	I	J	K	L	M	N	O	P	Q	R	S	T	U	V	W	X	Y	CGY	CGZ
FWH-100C	mm	1095	1304	1730	525	560	158	576	1330	1498	1331	1513	1417	61	74	101	596	676	976	808	384	1028	946	1496	740	1558	795	800
	In	43.11	51.34	68.11	20.67	22.05	6.22	22.68	52.36	58.98	52.40	59.57	55.79	2.40	2.91	3.98	23.46	26.61	38.43	31.81	15.12	40.47	37.24	58.90	29.13	61.34	31.30	31.50



WASHING

HIGH SPIN WASHERS HIGH CAPACITY FWH-135C TP2



FEATURES

Touch Plus Control

- 7" touchscreen, user friendly and totally programmable .
- Videos on display, ads, instructions.
- Free software for programming, telemetry, data analysis.
- USB Connection.
- 37 languages.
- 8 dosing signals as standard.

G FACTOR

- High G-Factor 450.

EFFICIENCY

- Energy Optimization.
- Optimal load.
- Low water consumption.

VERSATILITY

- Electric or Hot water.
- WET CLEANING features as standard.

CONNECTIVITY

- IoT - Fagor-Konnect standard.
- Remote technical service.
- Laundry Management system: OPL

ERGONOMICS

- Big door diameter: Ø 560 mm.
- Easy opening/closing system for door lock.

MAINTENANCE

- Equivalent parts for all models: contactors, electronic devices, gear.
- Technical menu: traceability, error diagnosis.

OTHERS

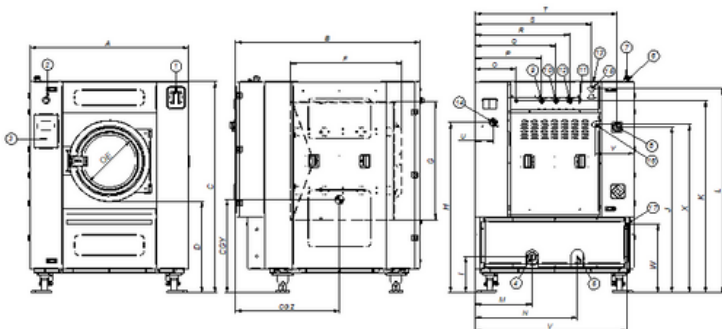
- Drum and outer tub in stainless steel AISI 304.
- 3 water inlets.
- Soft mounted, free standing washers.
- Panels in skin plate.
- Easy to install, no need of fixation to the floor.
- CB and WRAS approved product. Option ETL.
- High spin washers with suspended drum.

OPTIONS

- DQ-2 Dosing pump kit.
- Extra dosing pump DB-1.
- Double drain.
- Tropicalized coating.
- Tilting options: frontal or double tilt.
- Automatic weighing sensor system on feet (Not available with tilting kits).
- Relay card with 6 extra dosing signals: up to 14 signals.
- Stainless steel AISI 304 outer casing.
- Double heating E+S.

DRUM		U.	FWH - 135C TP2	
Load capacity	1:9 / 1:10	Lb.	143.3/130.1	
Volume		CU.FT	20.8	
Diameter		In	41.3	
Depth		In	26.8	
GENERAL DETAILS				
Washing speed / Spinning speed		r.p.m.	38 / 875	
G Factor		-	450	
Maximum force transmitted		KN	18 ±4.2	
Frequency-dynamic force		Hz	12,66	
Noise level		dB	< 70	
Coin laundry version		-	No	
Double drain		-	Opt.	
Weighing System / Tilting System		-	Opt.	
SLUICE option		-	No	
DOOR				
Height center door / Height door		In	46.1 / 31.9	
Diameter		In	22.1	
POWER				
Motor		Hp	20.1	
Electric heating power		kW	36	
Total electric power (electric model)		kW	39	
Total electric power (hw, steam model)		kW	15	
CONNECTIONS			ELECTRIC	STEAM / HOT WATER
Voltage 208-240/60/1~ + G		Nº x AWG / A	-	-
Voltage 230/3~ + G		Nº x AWG / A	4 x 2 / 125A	4 x 8 / 50A
Voltage 440-480/3 ~ + G		Nº x AWG / A	4 x 4 / 90A	4 x 10 / 30A
Steam inlet (Steam model)		inch	3/4"	
Maximum steam consumption (Steam model)		lbs/h	21	
Water inlet		inch	1"	
Water main pressure		Kg/cm2	2-4	
Maximum water consumption		Gal/h	157.9	
Drain		mm/inch	3"	
Drainage capacity		Gal/min	52.8	
DIMENSIONS / PACKING DIMENSIONS				
Net Width / Gross Width		In	55.91 / 63	
Net Depth / Gross Depth		In	56.42 / 62.8	
Net Height / Gross Height		In	74.41 / 76	
Net weight / Gross weight		Lbs.	3206 / 3405	
Volume		Ft3	173	

* Programmed No. 2, 100% load



- 01. Soap dispenser
- 02. Emergency stop
- 03. USB port
- 04. Drain 1
- 05. Drain 2
- 06. Electric connection to liquid soap pump
- 07. Electrical connection
- 08. Main switch connection to liquid soap pump
- 09. Auxiliary water inlet
- 10. Hot water inlet
- 11. Equipotential connection
- 12. Cold water inlet
- 13. Steam output
- 14. Liquid soap connection
- 15. Steam connection
- 16. Air intake
- 17. Ethernet port

	A	B	C	D	E	F	G	H	I	J	K	L	M	N	O	P	Q	R	S	T	U	V	W	X	Y	CGY	CGZ	
FWH-135C	mm	1420	1433	1890	810	560	760	1050	1563	323	1475	1710	1817	508	912	367	595	720	845	1040	1267	160	1353	608	1500	348	830	820
	In	55.91	56.42	74.41	31.89	22.05	38.27	41.34	61.54	12.72	58.07	67.32	71.54	20.00	35.91	14.45	23.43	28.35	33.27	40.94	49.88	6.30	53.27	23.94	59.06	13.70	32.68	32.28



WASHING

HIGH SPIN WASHERS HIGH CAPACITY FWH-180C TP2



FEATURES

Touch Plus Control

- 7" touchscreen, user friendly and totally programmable .
- Videos on display, ads, instructions.
- Free software for programming, telemetry, data analysis.
- USB Connection.
- 37 languages.
- 8 dosing signals as standard.

G FACTOR

- High G-Factor 450.

EFFICIENCY

- Energy Optimization.
- Optimal load.
- Low water consumption.

VERSATILITY

- Electric or Hot water.
- WET CLEANING features as standard.

CONNECTIVITY

- IoT - Fagor-Konnect standard.
- Remote technical service.
- Laundry Management system: OPL

ERGONOMICS

- Big door diameter: Ø 560 mm.
- Easy opening/closing system for door lock.

MAINTENANCE

- Equivalent parts for all models: contactors, electronic devices, gear.
- Technical menu: traceability, error diagnosis.

OTHERS

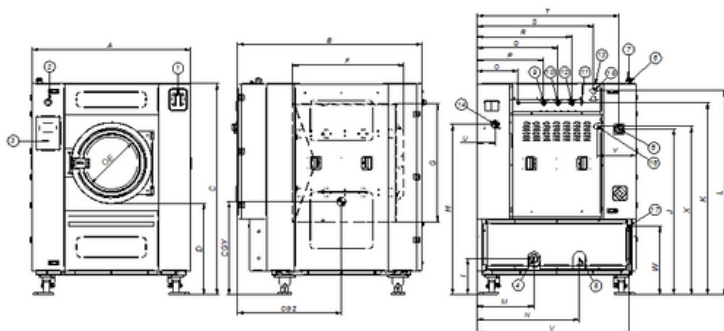
- Drum and outer tub in stainless steel AISI 304.
- 3 water inlets.
- Soft mounted, free standing washers.
- Panels in skin plate.
- Easy to install, no need of fixation to the floor.
- CB and WRAS approved product. Option ETL.
- High spin washers with suspended drum.

OPTIONS

- DQ-2 Dosing pump kit.
- Extra dosing pump DB-1.
- Double drain.
- Tropicalized coating.
- Tilting options: frontal or double tilt.
- Automatic weighing sensor system on feet (Not available with tilting kits).
- Relay card with 6 extra dosing signals: up to 14 signals.
- Stainless steel AISI 304 outer casing.
- Double heating E+S.

DRUM		U.	FWH - 180C TP2	
Load capacity	1:9 / 1:10	Lb.	187.4 / 169.8	
Volume		CU.FT	27.2	
Diameter		In	41.3	
Depth		In	35.1	
GENERAL DETAILS				
Washing speed / Spinning speed		r.p.m.	38 / 875	
G Factor		-	450	
Maximum force transmitted		KN	23 ±4,8	
Frequency-dynamic force		Hz	12.66	
Noise level		dB	< 70	
Coin laundry version		-	No	
Double drain		-	Opt.	
Weighing System / Tilting System		-	Opt.	
SLUICE option		-	No	
DOOR				
Height center door / Height door		In	46.1 / 31.9	
Diameter		In	22.1	
POWER				
Motor		Hp	20.1	
Electric heating power		kW	48/36	
Total electric power (electric model)		kW	51/39	
Total electric power (hw, steam model)		kW	15	
CONNECTIONS			ELECTRIC	STEAM / HOT WATER
Voltage 208-240/60/1~ + G		Nº x AWG / A	-	-
Voltage 230/3~ + G		Nº x AWG / A	4 x 2 / 125A	4 x 6 / 50A
Voltage 440-480/3 ~ + G		Nº x AWG / A	4 x 4 / 90A	4 x 10 / 30A
Steam inlet (Steam model)		inch	3/4"	
Maximum steam consumption (Steam model)		lbs/h	25	
Water inlet		inch	1"	
Water main pressure		Kg/cm2	2-4	
Maximum water consumption		Gal/h	206.2	
Drain		mm/inch	3"	
Drainage capacity		Gal/min	52.8	
DIMENSIONS / PACKING DIMENSIONS				
Net Width / Gross Width		In	55.91 / 63	
Net Depth / Gross Depth		In	64.71 / 71.1	
Net Height / Gross Height		In	74.41 / 76	
Net weight / Gross weight		Lbs.	3969 / 4410	
Volume		Ft3	197.8	

* Programmed No. 2, 100% load



- . Soap dispenser
- . Emergency stop
- . USB port
- . Drain 1
- . Drain 2
- . Electric connection to liquid soap mp
- . Electrical connection
- . Main switch
- 09. Auxiliary water inlet
- 10. Hot water inlet
- 11. Equipotential connection
- 12. Cold water inlet
- 13. Steam output
- 14. Liquid soap connection
- 15. Steam connection
- 16. Air intake
- 17. Ethernet port

		A	B	C	D	E	F	G	H	I	J	K	L	M	N	O	P	Q	R	S	T	U	V	W	X	Y	CGY	CGZ
FWH-180C	mm	1420	1645	1890	810	560	972	1050	1563	323	1475	1710	1817	508	912	367	595	720	845	1040	1267	160	1353	608	1500	348	830	820
	In	55.91	64.76	74.41	31.89	22.05	38.27	41.34	61.54	12.72	58.07	67.32	71.54	20.00	35.91	14.45	23.43	28.35	33.27	40.94	49.88	6.30	53.27	23.94	59.06	13.70	32.68	32.28



WASHING

HIGH SPIN WASHERS HIGH CAPACITY FWH-230C TP2

FEATURES

Touch Plus Control

- 7" touchscreen, user friendly and totally programmable .
- Videos on display, ads, instructions. Free software for programming, telemetry, data analysis.
- USB Connection.
- 37 languages.
- 8 dosing signals as standard.

G FACTOR

- High G-FACTOR 350.

EFFICIENCY

- Intelligent consumption.
- Optimal loading.
- Low water consumption.

VERSATILITY

- Electric or Hot water.
- WET CLEANING features as standard.

CONNECTIVITY

- IoT - Fagor-Konnect standard.
- Remote technical service.
- Laundry Management system: OPL

ERGONOMICS

- Biggest door diameter: Ø700.
- Easy opening/closing system for door lock.

MAINTENANCE

- Equivalent parts for all models: contactors, electronic devices, gear.
- Technical menu: traceability, error diagnosis.

OTHERS

- Drum and outer tub in stainless steel AISI 304.
- 3 water inlets.
- Air inlet.
- Soft mounted, free standing washers.
- Panels in skin plate.
- Easy to install, no need of fixation to the floor.
- CB and WRAS approved product. Option ETL.
- High spin washers with suspended drum.

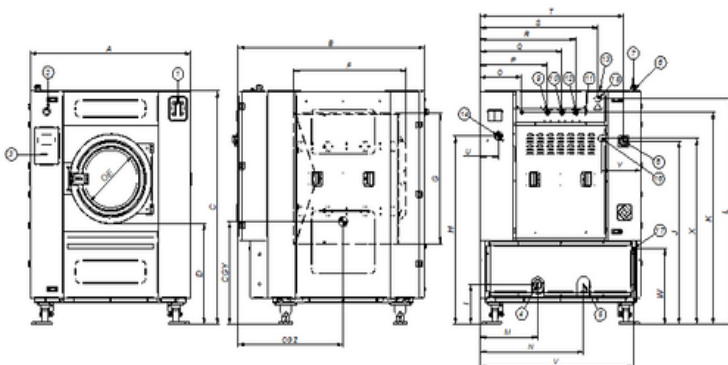
OPTIONS

- DQ-2 Dosing pump kit.
- Extra dosing pump DB-1.
- Double drain.
- Tropicalized coating.
- Tilting options: frontal or double tilt.
- Automatic weighing sensor system on feet (Not available with tilting kits).
- Relay card with 6 extra dosing signals: up to 14 signals.
- Stainless steel AISI 304 outer casing.
- Double heating E+S.



DRUM		U.	FWH - 230C TP2
Load capacity	1:9 / 1:10	Lb.	105/95
Volume		CU.FT	950
Diameter		In	1360
Depth		In	637
GENERAL DETAILS			
Washing speed / Spinning speed		r.p.m.	34 / 678
G Factor		-	350
Maximum force transmitted		KN	37.77 ±5.25
Frequency-dynamic force		Hz	11.33
Noise level		dB	<70
Coin laundry version		-	No
Double drain		-	Opt.
Weighing System / Tilting System		-	Opt.
SLUICE option		-	No
DOOR			
Height center door / Height door		In	52.4/35.5
Diameter		In	27.6
POWER			
Motor		Hp	20.1
Electric heating power		kW	-
Total electric power (electric model)		kW	-
Total electric power (hw, steam model)		kW	15
CONNECTIONS		STEAM / HOT WATER	
Voltage 208-240/60/3~ + G		N° x AWG / A	4 x 6 / 70A
Voltage 440-480/3 ~ + G		N° x AWG / A	4 x 8 / 45A
Steam inlet (Steam model)		inch	1-1/4"
Maximum steam consumption (Steam model)		lbs/h	26.5
Water inlet		inch	1-1/2"
Water main pressure		Kg/cm2	2-4
Maximum water consumption		Gal/h	279.3
Air inlet		Kg/cm2	4
Drain		mm/inch	4"
Drainage capacity		Gal/min	132
DIMENSIONS / PACKING DIMENSIONS			
Net Width / Gross Width		In	72.28/76.4
Net Depth / Gross Depth		In	67.32/80
Net Height / Gross Height		In	88.39/90.2
Net weight / Gross weight		Lbs.	5071.5/5733
Volume		Ft3	317.8

* Programmed No. 2, 100% load



- 31. Soap dispenser
- 32. Emergency stop
- 33. USB port
- 34. Drain 1
- 35. Drain 2
- 36. Electric connection to liquid soap jump
- 37. Electrical connection
- 38. Main switch
- 09. Auxiliary water inlet
- 10. Hot water inlet
- 11. Equipotential connection
- 12. Cold water inlet
- 13. Steam output
- 14. Liquid soap connection
- 15. Steam connection
- 16. Air intake
- 17. Ethernet port

		A	B	C	D	E	F	G	H	I	J	K	L	M	N	O	P	Q	R	S	T	U	V	W	Y	Z	CGY	CGZ
FWH-230C	mm	1836	1710	2245	945	700	792	1350	1740	336	1781	2038	2110	1095	1092	494	634	774	954	994	1239	1646	165	2049	2050	717	853	1025
	In	72.28	67.32	88.39	37.20	27.56	31.18	53.15	68.50	13.23	70.12	80.24	83.07	43.11	42.99	19.45	24.96	30.47	37.56	39.13	48.78	64.80	6.50	80.67	80.71	28.23	33.58	40.35



WASHING

HIGH SPIN WASHERS HIGH CAPACITY FWH-275C TP2

FEATURES

Touch Plus Control

- 7" touchscreen, user friendly and totally programmable .
- Videos on display, ads, instructions.
- Free software for programming, telemetry, data analysis.
- USB Connection.
- 37 languages.
- 8 dosing signals as standard.

G FACTOR

- High G-FACTOR 350.

EFFICIENCY

- Intelligent consumption.
- Optimal loading.
- Low water consumption.

VERSATILITY

- Electric or Hot water.
- WET CLEANING features as standard.

CONNECTIVITY

- IoT - Fagor-Konnect standard.
- Remote technical service.
- Laundry Management system: OPL

ERGONOMICS

- Biggest door diameter: Ø700.
- Easy opening/closing system for door lock.

MAINTENANCE

- Equivalent parts for all models: contactors, electronic devices, gear.
- Technical menu: traceability, error diagnosis.

OTHERS

- Drum and tub in stainless steel AISI 304.
- 3 water inlets.
- Air inlet.
- Soft mounted, free standing washers.
- Panels in skinplate.
- Easy to install, no need of fixation to the floor.
- CB and WRAS approved product. Option ETL.
- High spin washers with suspended drum.

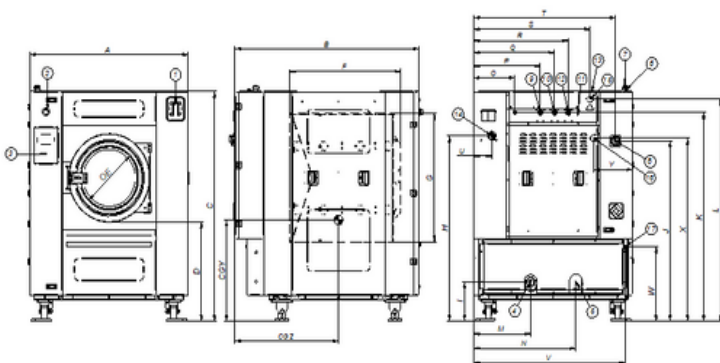
OPTIONS

- DQ-2 Dosing pump kit.
- Extra dosing pump DB-1.
- Double drain.
- Tropicalized coating.
- Tilting options: frontal or double tilt.
- Automatic weighing sensor system on feet (Not available with tilting kits).
- Relay card with 6 extra dosing signals: up to 14 signals.
- Stainless steel AISI 304 outer casing.
- Double heating E+S.



DRUM		
	U.	FWH - 275C TP2
Load capacity 1:9 / 1:10	Lb.	286.7/253.6
Volume	CU.FT	40.6
Diameter	In	53.6
Depth	In	30
GENERAL DETAILS		
Washing speed / Spinning speed	r.p.m.	34 / 678
G Factor	-	350
Maximum force transmitted	KN	37.77 ±5.25
Frequency-dynamic force	Hz	11.33
Noise level	dB	<70
Coin laundry version	-	No
Double drain	-	Opt.
Weighing System / Tilting System	-	Opt.
SLUICE option	-	No
DOOR		
Height center door / Height door	In	52.4/35.5
Diameter	In	27.6
POWER		
Motor	Hp	15
Electric heating power	kW	-
Total electric power (electric model)	kW	-
Total electric power (hw, steam model)	kW	15
CONNECTIONS		
Voltage 208-240/60/3~ + G	Nº x AWG / A	4 x 6 / 70A
Voltage 440-480/3 ~ + G	Nº x AWG / A	4 x 8 / 45A
Steam inlet (Steam model)	inch	1-1/4"
Maximum steam consumption (Steam model)	lbs/h	26.5
Water inlet	inch	1-1/2"
Water main pressure	Kg/cm2	2-4
Maximum water consumption	Gal/h	331.1**
Air inlet	Kg/cm2	4
Drain	mm/inch	4"
Drainage capacity	Gal/min	132
DIMENSIONS / PACKING DIMENSIONS		
Net Width / Gross Width	In	72.28/76.4
Net Depth / Gross Depth	In	72.13/80
Net Height / Gross Height	In	88.39/90.2
Net weight / Gross weight	Lbs.	6090/6743
Volume	Ft3	317.8

* Programmed No. 2, 100% load



- . Soap dispenser
- . Emergency stop
- . USB port
- . Drain 1
- . Drain 2
- . Electric connection to liquid soap mp
- . Electrical connection
- . Main switch

- 09. Auxiliary water inlet
- 10. Hot water inlet
- 11. Equipotential connection
- 12. Cold water inlet
- 13. Steam output
- 14. Liquid soap connection
- 15. Steam connection
- 16. Air intake
- 17. Ethernet port

	A	B	C	D	E	F	G	H	I	J	K	L	M	N	O	P	Q	R	S	T	U	V	W	Y	Z	CGY	CGZ	
FWH-275C	mm	1836	1832	2245	945	700	930	1350	1740	336	1781	2038	2110	1095	1092	494	634	774	954	994	1239	1646	165	2049	2050	717	853	1130
	In	72.28	72.13	88.39	37.20	27.56	36.61	53.15	68.50	13.23	70.12	80.24	83.07	43.11	42.99	19.45	24.96	30.47	37.56	39.13	48.78	64.80	6.50	80.67	80.71	28.23	33.58	44.49